

#14441 Outdoor Kitchen Kit

Step-by-step assembly instructions

Copyright miniatures.com 2025

PARTS LIST:

Short Cabinet Sides (2)
Cabinet Support
Cabinet Front
Cabinet Back
Cabinet Countertop
Cabinet Doors and Drawers Front

SUPPLIES NEEDED:

Masking tape
White glue (such as #1249 Weldbond)
Damp clean cloth
Exterior and interior finishes



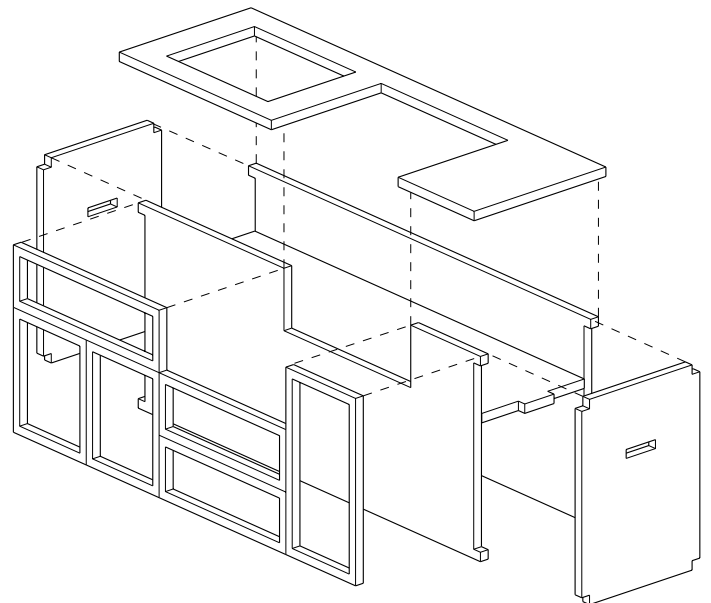
GENERAL INSTRUCTIONS

- Identify and inspect all parts using the Parts List.
- Thoroughly read the directions before starting.
- Set up a dedicated work area to avoid the need to unpack, repack, or move the project frequently.
- Use a clean, level, and dry work surface protected from glue spills.
- Dry fit the parts using masking tape to ensure everything aligns correctly before permanent assembly.

Assembly Instructions

Tip: Cabinet Doors and Drawers do not open. Add your favorite cabinet pulls or knobs to match your outdoor miniature style.

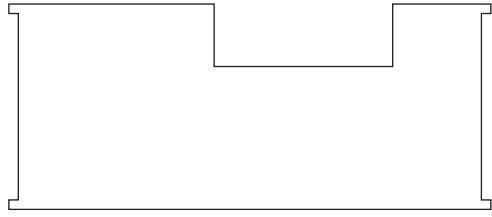
1. Glue one **Short Cabinet Side** to the **Cabinet Support**. The slot on the **Short Cabinet Side** receives the tab on the **Cabinet Support**.
2. Let the glue set for a few minutes.
3. Glue the other **Short Cabinet Side** to the **Cabinet Support**.
4. Let the glue set for a few minutes.
5. Glue the **Cabinet Front** in place. Their tabs fit into the slots on the **Short Cabinet Sides**.
6. Glue the **Cabinet Back** in place. Their tabs fit into the slots on the **Short Cabinet Sides**.
7. Assure the assembly is square.
8. Let the glue dry.
9. Glue the **Cabinet Doors** and **Drawers Front** to the **Cabinet Front**.
10. Let the glue dry.
11. Glue the **Cabinet Countertop** to the finished base.
12. Let the glue dry.



Assembly of the Outdoor Kitchen is now complete.
Enjoy finishing with your favorite paint to match your miniature style.

Parts Diagram

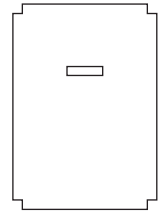
Note: Not to scale



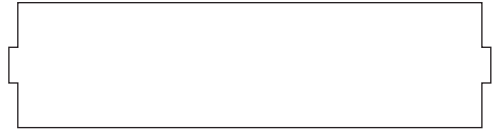
Cabinet Front



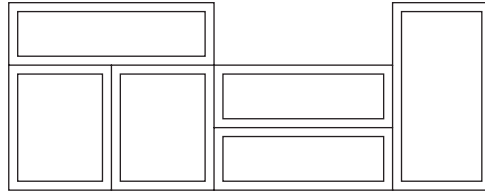
Cabinet Back



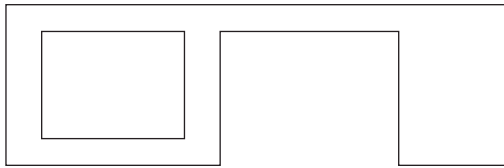
Short Cabinet Sides (2)



Cabinet Support



Cabinet Doors and Drawers Front



Counter Top